

# **SLC-C1 Series**

## **LC HOUSING**

- for  $\varnothing$  0.9 mm buffered fiber -

# **TECHNICAL SPECIFICATIONS**



**SEIKOH GIKEN Co.,Ltd.**

**Fiber Optic Products Division**

296-1, MATSUHIDAI, MATSUDO-SHI,  
CHIBA, 270-2214 JAPAN.

TEL: +81-47-388-6111 FAX: +81-47-388-4477

**SLC-C1 Series LC HOUSING - for  $\varnothing$  0.9 mm buffered fiber -  
TECHNICAL SPECIFICATIONS**

ACD-08B2-01	August	2000
ACD-08B2-02	February	2001
ACD-08B2-03	December	2002
ACD-08B2-04	May	2005
S05-H002-01E	June	2006
S05-H002-02E	January	2010
S05-H067-01E	November	2010
S05-H067-02E	April	2011

Copyright © 2000 - 2011 by **SEIKOH GIKEN Co.,Ltd.**  
All right reserved.

The information contained herein shall not be reproduced or disclosed to any third party without the express written consent of SEIKOH GIKEN Co., Ltd. The specifications and materials contained herein are subject to change without notice.

Please address any questions, comments, and suggestions to:

**SEIKOH GIKEN USA, Inc.**

4405 International Blvd., Suite B109  
Norcross, GA 30093 U.S.A.  
TEL: +1-770-279-6602  
FAX: +1-770-279-8839

**SEIKOH GIKEN Europe GmbH**

Siemensstrasse 9  
D-63263 Neu-Isenburg, Germany  
TEL: +49-6102-297-701  
FAX: +49-6102-297-750

**SEIKOH GIKEN Hangzhou Co.,Ltd.**

526 Binkang Road Binjiang District, Hangzhou,  
Zhejiang, China 310052, P.R. China  
TEL: +86-571-8777-4098  
FAX: +86-571-8777-4099

## TABLE OF CONTENTS

Section		Page
1	SCOPE	1
2	PART NUMBER	1
3	GENERAL SPECIFICATIONS	2
	3.1 Parts and Materials	2
	3.2 Physical Dimensions	2
	3.3 General Tolerance	2
	3.4 Appearance	2
4	PACKING	3
5	IDENTIFICATION	3
6	HANDLING AND CARE	3
	6.1 Conditions of Storage	3
	6.2 Precautions of Use	3
	6.3 Disposal	3

### Table

Table 1	Part Number	1
Table 2	Parts and Materials	2
Table 3	General Tolerance	2

### Figure

Figure 1	SLC-C1 Series Housing	4
Figure 2 to 6	Dimensions of Parts	5 to 7



1 SCOPE

These specifications apply to the SLC-C1 series LC housing - for ø 0.9 mm buffered fiber - supplied by SEIKOH GIKEN Co., Ltd.

2 PART NUMBER

Part number of the housing is shown in Table 1.

Table 1 Part Number

MODEL Number	TYPE Number							
<b>SLC-C1</b>	<b>3</b>	<b>1</b>	<b>0</b>	<b>F</b>	<b>3</b>	<b>0</b>	<b>3</b>	<b>G</b>


  

Boot Color	
2	Red
3	Light Gray
5	Blue
7	Yellow
8	Green

Boot I.D. [mm]	
1	for ø 0.9 buffered fiber

Marking of Boot	
0	 SG

Auxiliary digit	
0	3 G

Package	
3	Bulk Package

Cap	
0	No Cap
F	White Dust Cap

Please contact us for availability of other specifications.

### 3 GENERAL SPECIFICATIONS

#### 3.1 Parts and Materials

Parts and materials are shown in Table 2.

Table 2 Parts and Materials

Item	Part Name	Qty	Material	Notes
①	Plug frame	1	PPSU	Blue, Flammability UL94 V-0
②	Spring	1	Stainless Steel	-
③	Stopper	1	PBT-GF	Blue, Flammability UL94 V-0
④	Boot	1	TPEE	Flammability UL94 V-0
⑤	Cap	1	PBT	Dust Cap White, Flammability UL94 V-0

Note: Item on Table 2 corresponds to the item reference number on Figure 1 to 6.

#### 3.2 Physical Dimensions

Figure 1 shows the SLC-C1 series housing.

Figure 2 to 6 show the dimensions of the parts.

- In accordance with IEC 61754-20 Type LC connector family.
- In accordance with JIS C 5964-20 Type LC connector family.

#### 3.3 General Tolerances

Permissible deviation in dimensions without tolerance indication is in accordance with ISO 2768-m (JIS B 0405-m), as shown in Table 3.

Table 3 General Tolerance (ISO 2768-m)

Basic size step [mm]		Permissible deviation [mm]
Over	Under	
0.5	3	±0.1
3	6	±0.1
6	30	±0.2
30	120	±0.3

#### 3.4 Appearance

There should be no burr or scratches that affect the product.

#### 4 PACKING

The product is packed to prevent damage during shipment.

#### 5 IDENTIFICATION

Identification label should indicate the part number and the lot number of the product(s) and should be permanently attached to the packing bag.

#### 6 HANDLING AND CARE

##### 6.1 Conditions of Storage

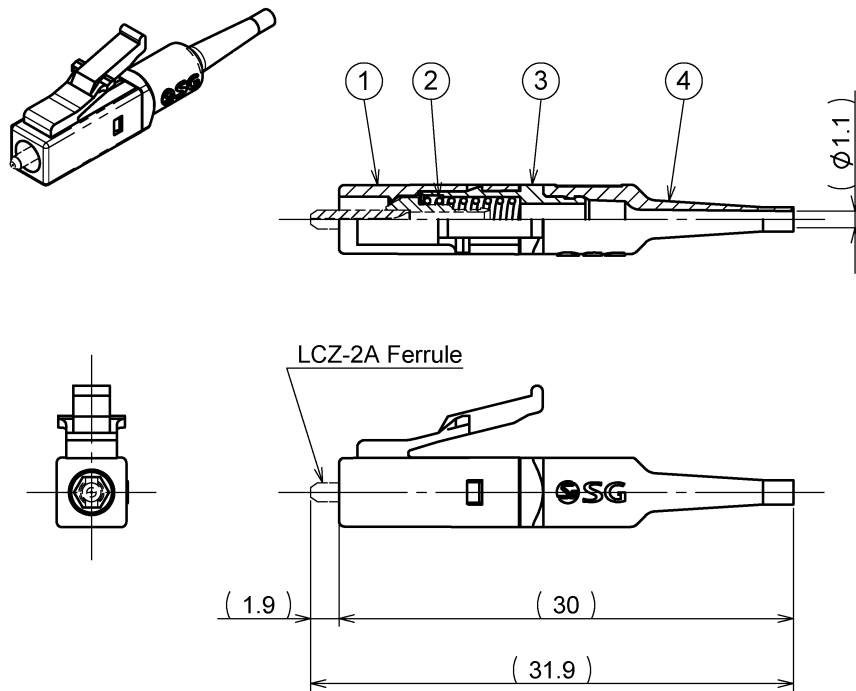
For storage of the product, keep in the packing bag and keep away from corrosive gas, high-temperature and humidity, extreme-low temperature and direct sunlight.

##### 6.2 Precautions for Use

Contamination, oil, sweat and others debris on the ferrule end face may influence the performance of the product. If contamination is on the ferrule end face, wipe the end face with the end face cleaner.

##### 6.3 Disposal

When discarding this product, please follow the regulations of your own country.

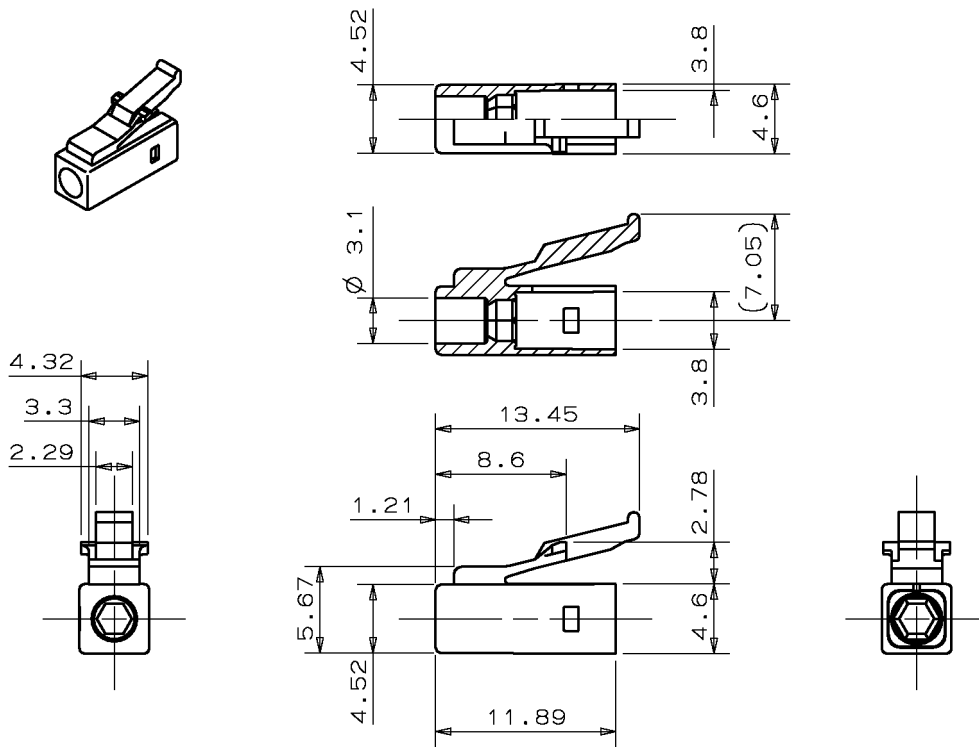


- Notes: 1 This drawing shows the tentatively assembled condition including LCZ-2A ferrule.  
On practical shipment of SLC-C1 housing, this tentative assembly is not available.
- 2 This drawing does not include the cap.
- 3 The ferrule is not included in SLC-C1 housing.

Unit: mm

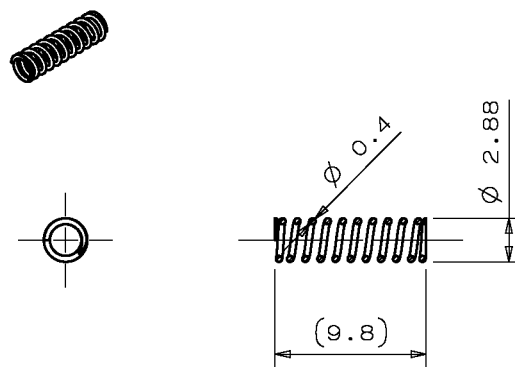
Figure 1 SLC-C1 Series Housing





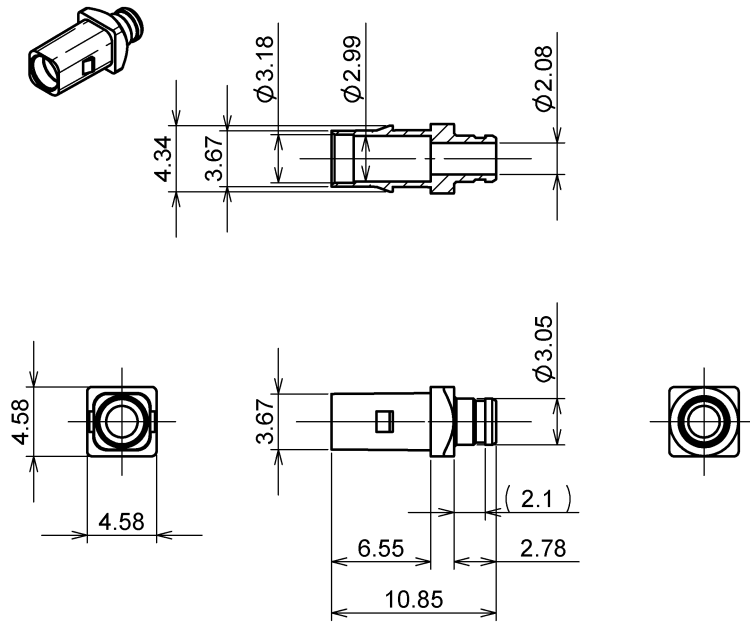
Unit: mm

Figure 2 ① Plug frame



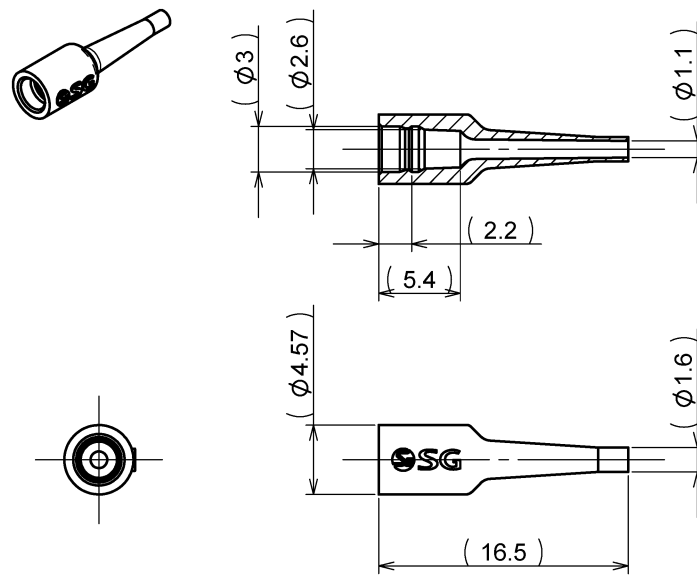
Unit: mm

Figure 3 ② Spring



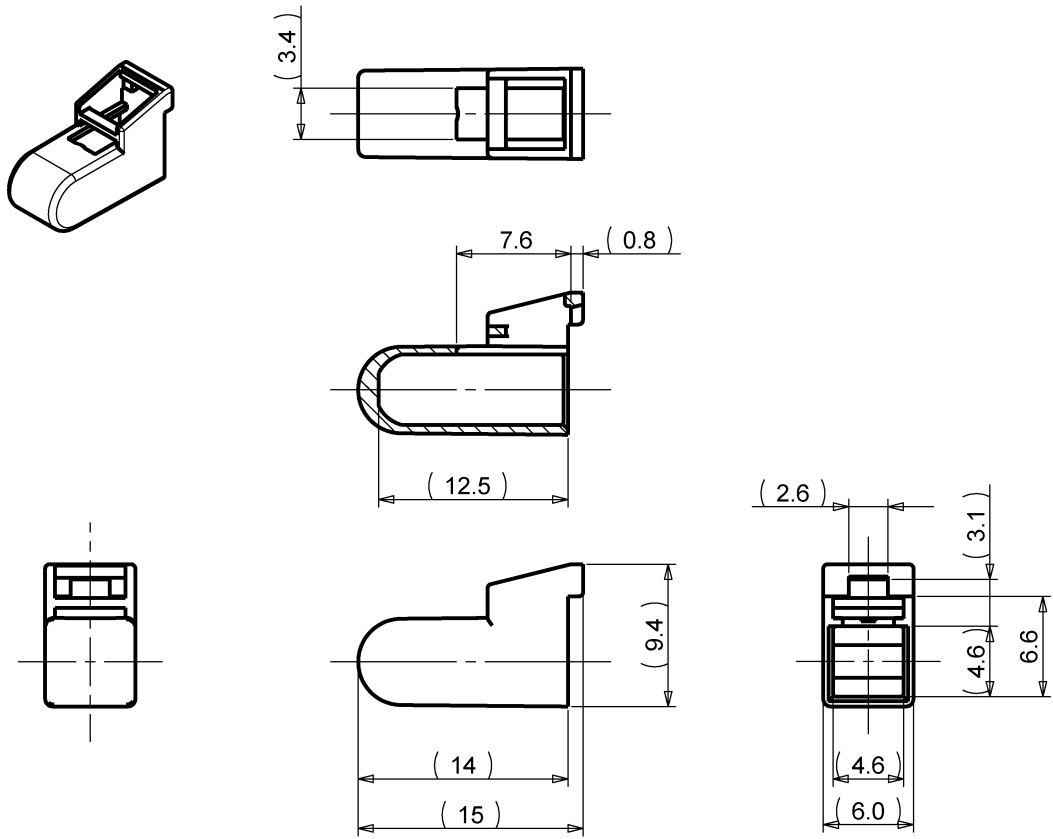
Unit: mm

Figure 4 ③Stopper



Unit: mm

Figure 5 ④Boot



Unit: mm

Figure 6 ⑤Cap (Dust Cap)