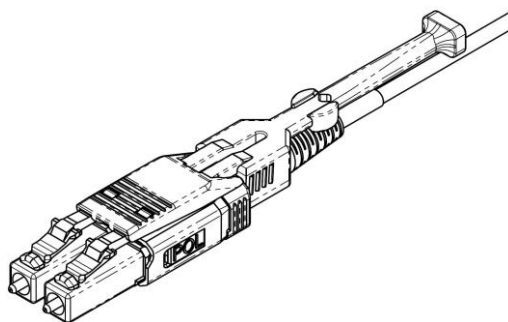




INSTRUCTIONS FOR USE

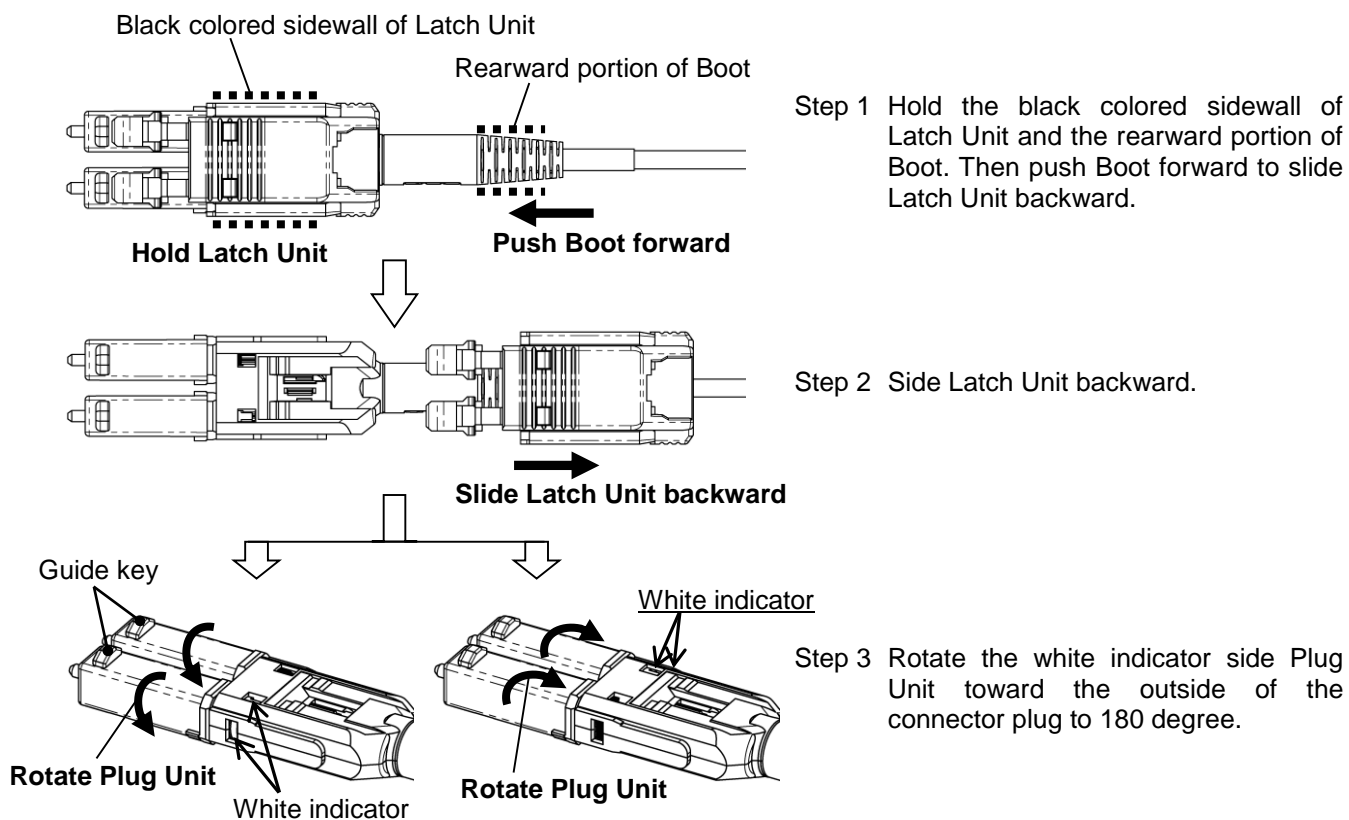
Intelli-Cross Pro SLDXA-2P Series LC Uniboot Connector

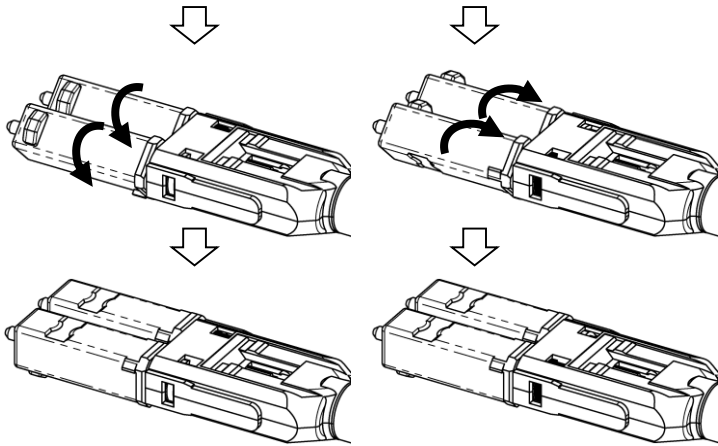


Thank you for choosing **Intelli-Cross Pro** SLDXA-2P series LC uniboot connector. Before use, please read these instructions carefully and use it properly.

1 How to reverse polarity

Intelli-Cross Pro SLDXA-2P series LC uniboot connector is very easy to reverse polarity.

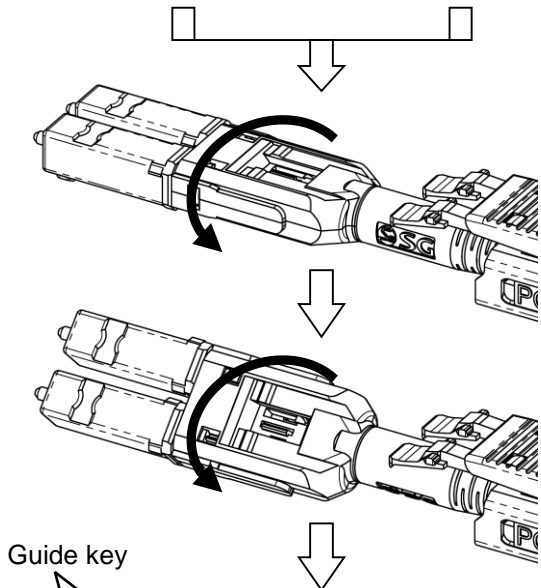




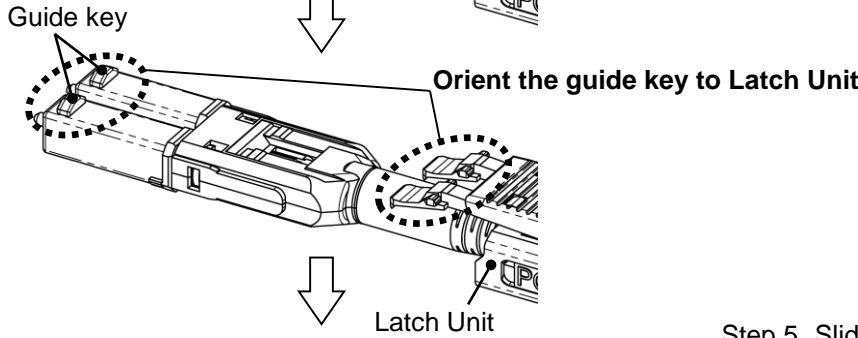
A pair of Plug Units synchronously rotates.

A pair of Plug Units mechanically stops after rotated to 180 degree.

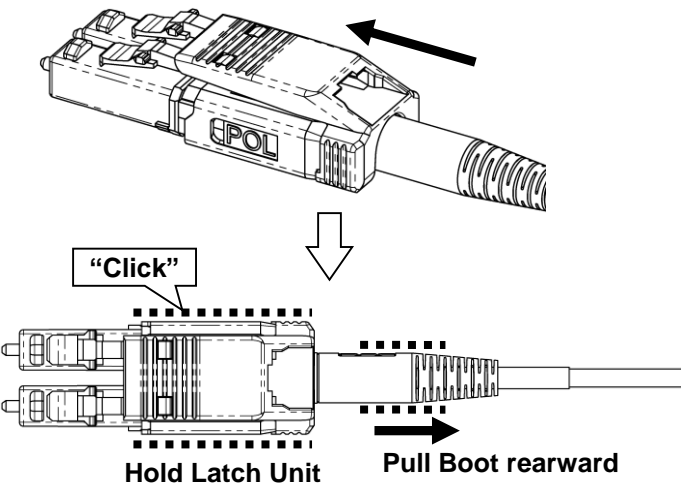
Attention
 Do not rotate Plug Unit excessively. Otherwise, the connector plug may be broken.



Step 4 Turn the connector plug 180 degree. And orient the guide key of Plug Unit and Latch Unit as shown in left picture.



Step 5 Slide Latch Unit forward.



Step 6 Hold the sidewall of Latch Unit and the rearward portion of Boot. Then pull Boot rearward until it clicks.

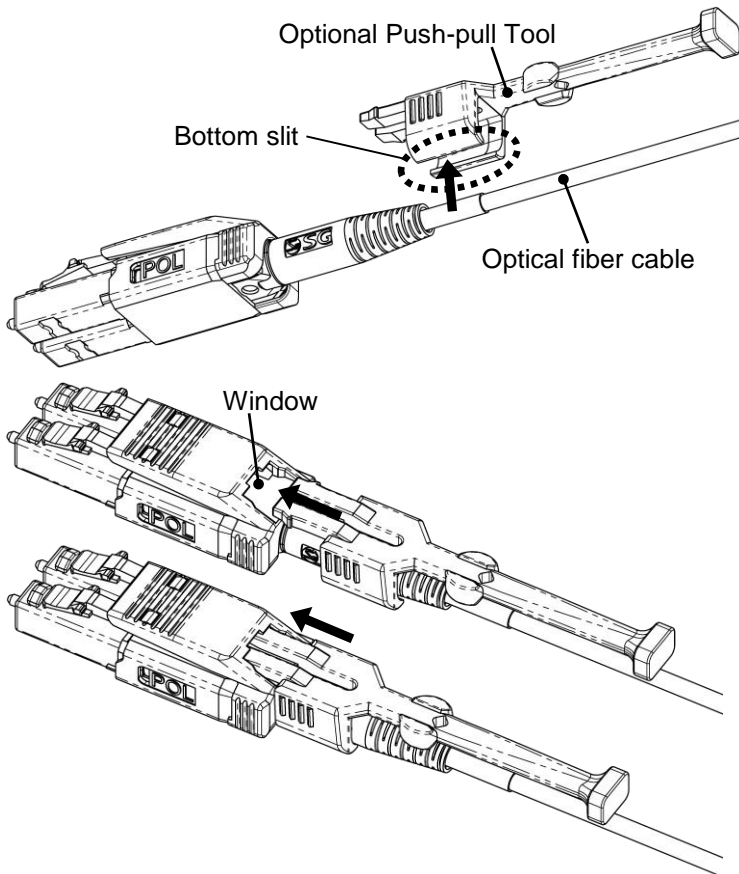
2 How to use Optional Push-Pull Tool

Optional Push-Pull Tool can be installed to this product.

Optional Push-Pull Tool can be broken off in the middle, in case the shorter push-pull tool is required.

(1) How to install Optional Push-Pull Tool

Even while the connector plug is mated to the adaptor, Optional Push-Pull Tool can be installed to the connector plug.

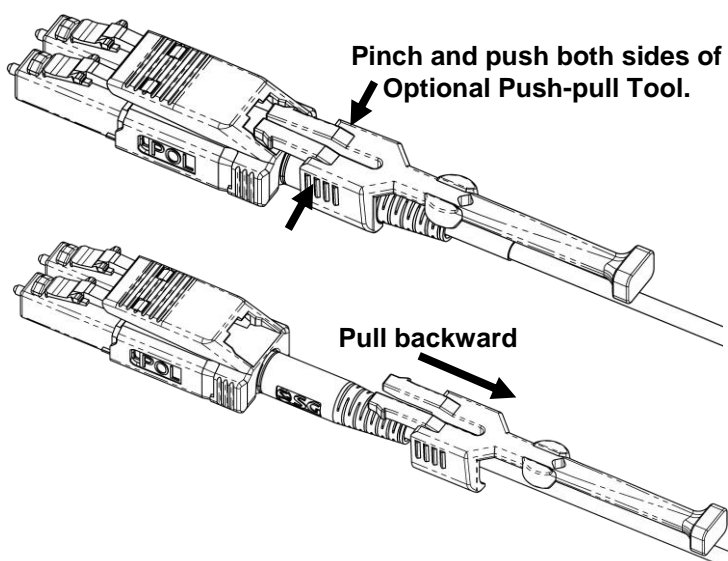


Put the optical fiber cable into the bottom slit of Optional Push-pull Tool.

Insert top of Optional Push-pull Tool into rear window of Latch Unit until it stops.

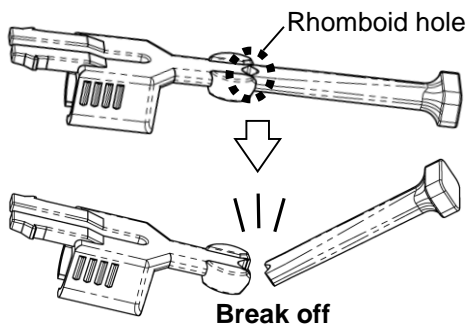
(2) How to remove Optional Push-Pull Tool

While the connector plug is mated to the adaptor, Optional Push-Pull Tool can not be removed from the connector plug.



Pinch and push both front sides of Optional Push-pull Tool to warp inside. Keep warping inside and pull Optional Push-pull Tool backward to remove from connector.

(3) How to make Optional Push-Pull Tight Tool shorter



Break Optional Push-pull Tool at the middle rhomboid hole.

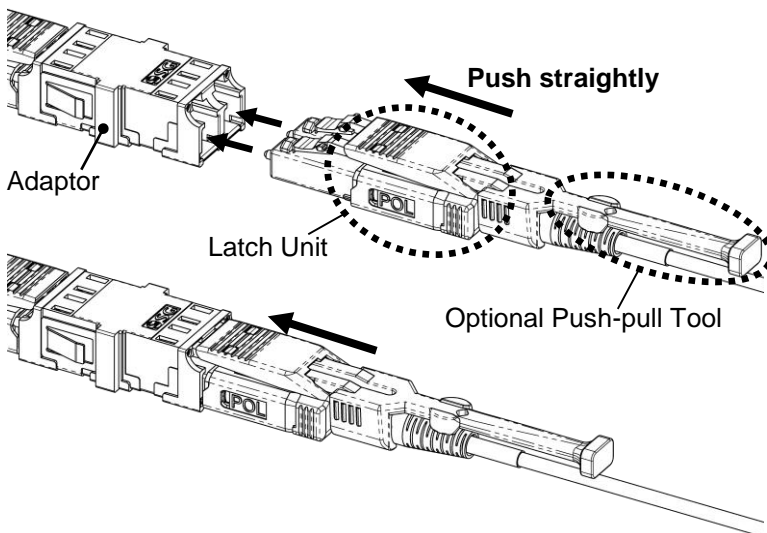
The broken off rear portion of Optional Push-pull Tool can be discarded with following the regulations of your own country.

Material: PBT, glass fiber reinforced,
Flame-retardant material contained

3 How to mate/remove the connector plug

This is the push-pull type connector plug.

(1) How to mate the connector plug to the adaptor

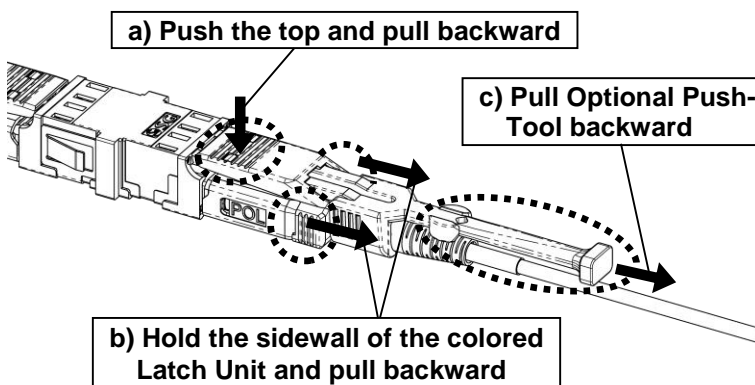


Hold Latch Unit or Optional Push-pull Tool, and push it straightly to the adaptor until clicking.

Approximately 12 N (1.2 kgf) pushing force is required.

(2) How to remove the connector plug from the adaptor

The connector plug can be removed by either of three ways.



- a) Push the top of Latch Unit and pull the connector plug backward
- b) Hold the sidewall of the colored Latch Unit and pull the connector plug backward.
- c) Pull Optional Push-pull Tool backward.

4 Endface cleaner

For this product, the following endface cleaners are recommended.

- SEIKOH GIKEN SHM-502 (Handi Mate™)
- SEIKOH GIKEN SHM-503 (Handi Mate™)
- SEIKOH GIKEN SFM2.0-125 (Ferrule Mate™)