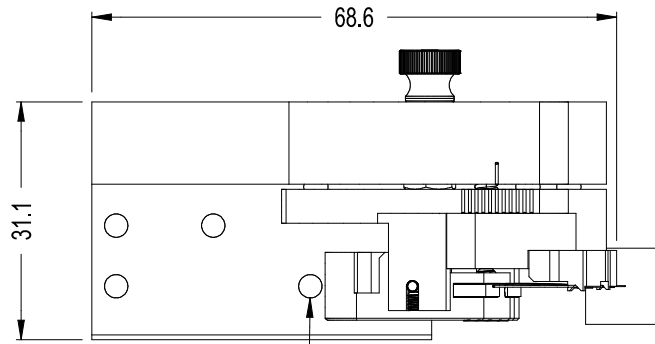


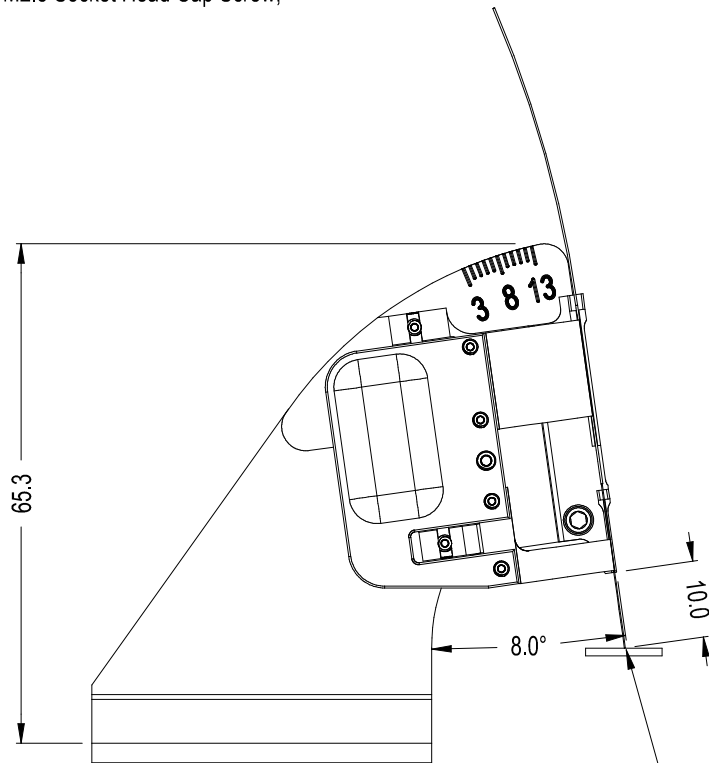
PKG Start Date

REV Date

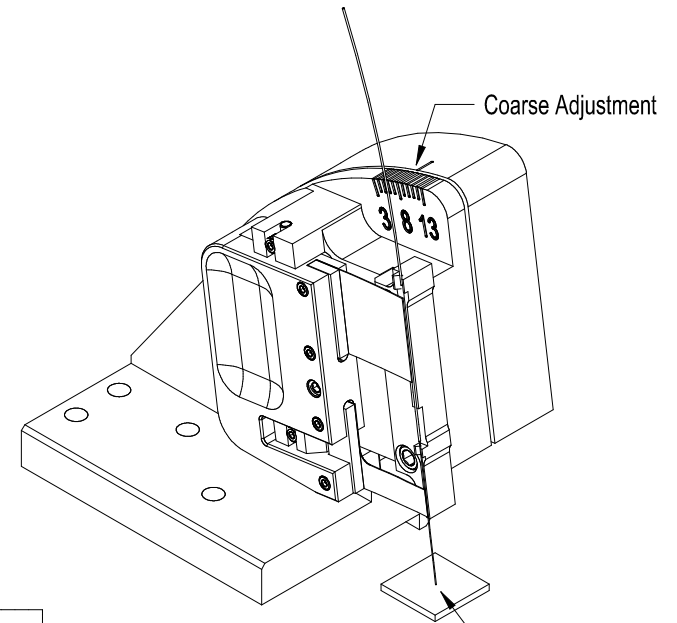
APPROVED



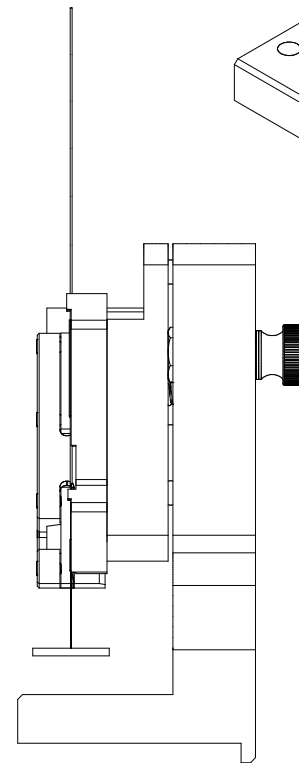
Clearance hole
for #4 or M2.5 Socket Head Cap Screw,
4 pl.



Nominal 1 mm thick chip on Luminos VPH (not shown)



Coarse adjustment
rotation center located
at fiber tip, coincident with
6-axis positioner



SKU: VFH001-M-1



VFH001-M-1 Vertical Fiber Holder

Material:	
Finish:	Tolerance:

SIZE A	VIEW:	DWG NO. PT036364A	REV A
SCALE 1	FILE	PT036364A.ckd	SHEET 1/1