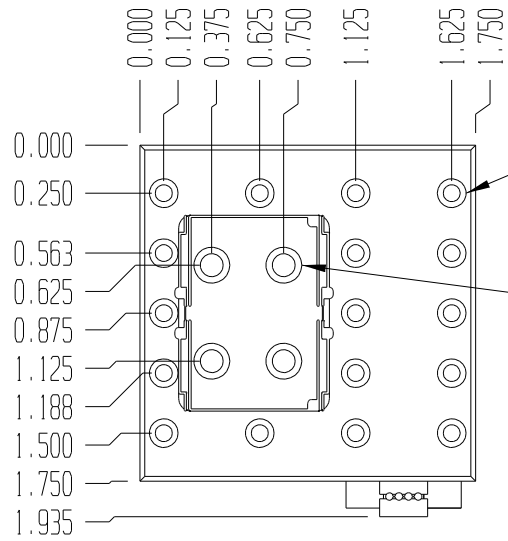


PKG Start Date:

REV Date:

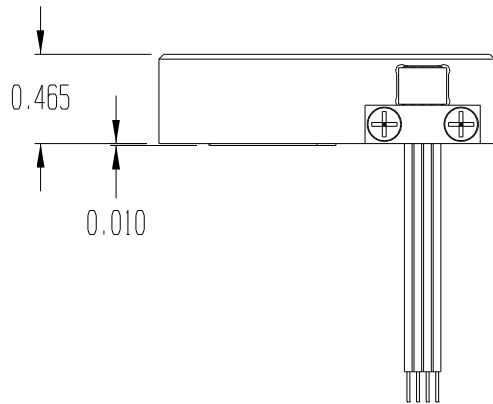
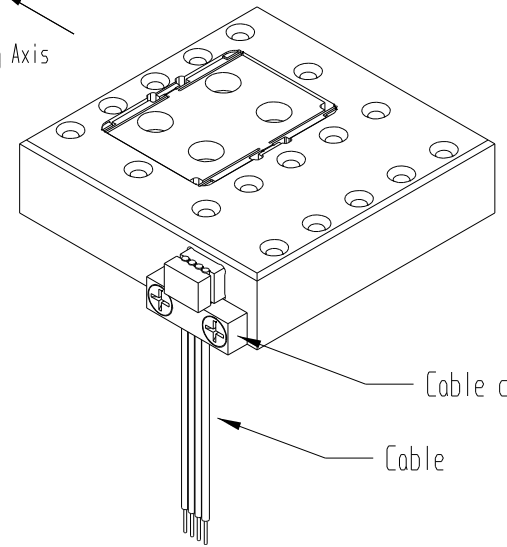
APPROVED



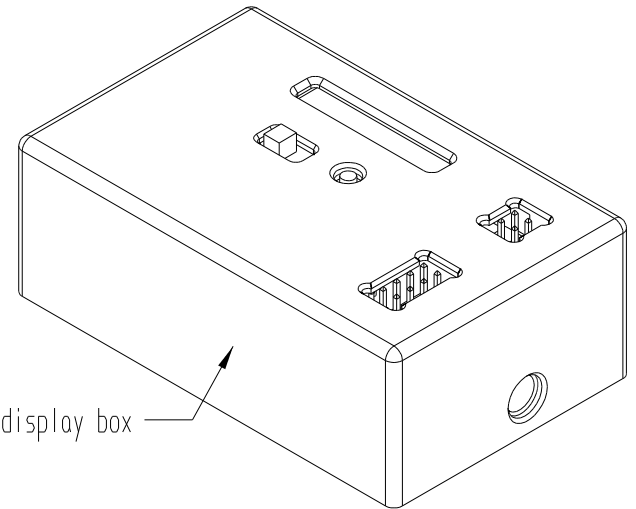
#4-40 tapped holes
0.25 dp., 17 pl.

clearance holes with C'bore
for #4-40 socket head cap screws
4 pl.

Sensing Axis



Companion display box



LUMINDS INDUSTRIES LTD

Contact Sensing System

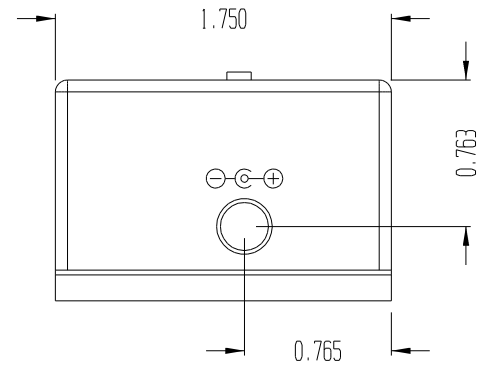
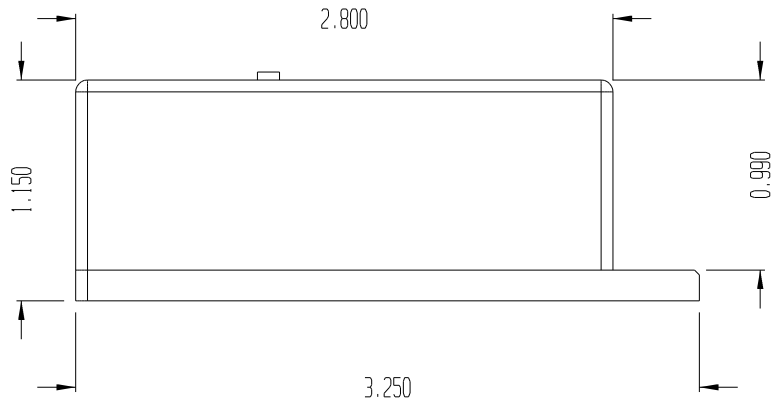
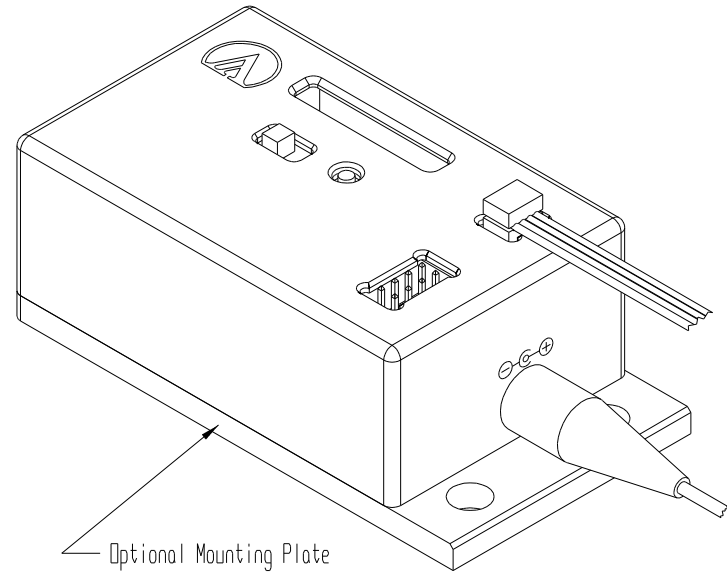
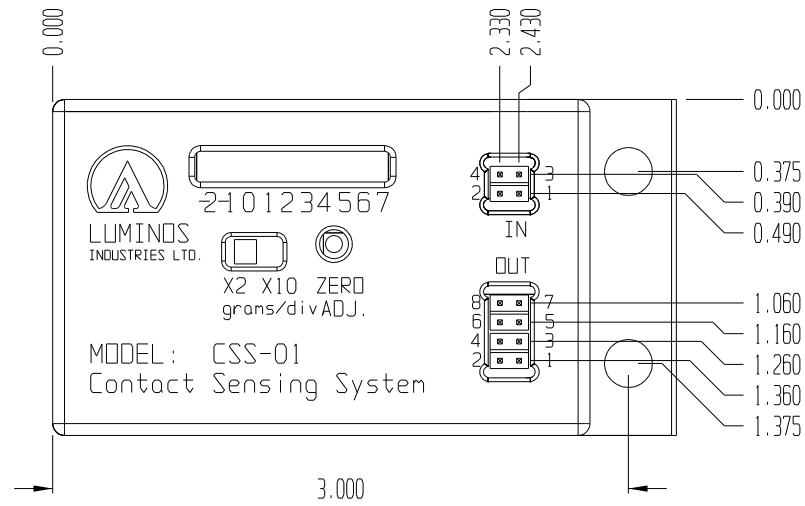
Material:	
Finish:	Tolerance

SIZE A	VIEW	PART NO. CSS	REV A
SCALE 1	FILE	PT0169.prt	SHEET 1/1

PKG Start Date:

REV Date: Apr 11, 04

APPROVED



LUMINDS INDUSTRIES LTD

Contact Sensing System - Companion Display Box

Material:

Finish: Tolerance

SIZE A	VIEW	PART NO.	CSS	REV A
SCALE 1	FILE	PT0169.prt	SHEET 1/1	