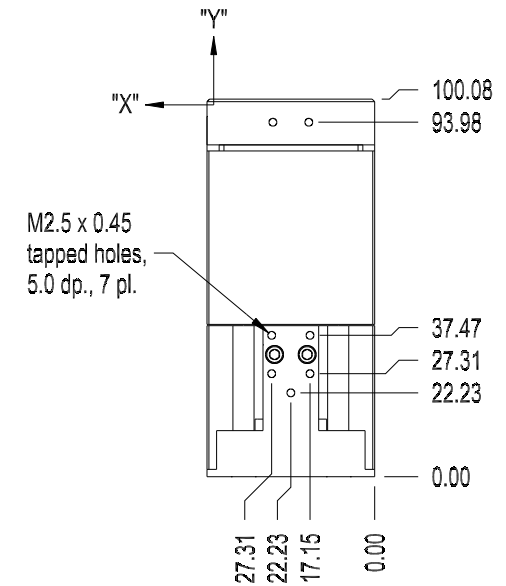
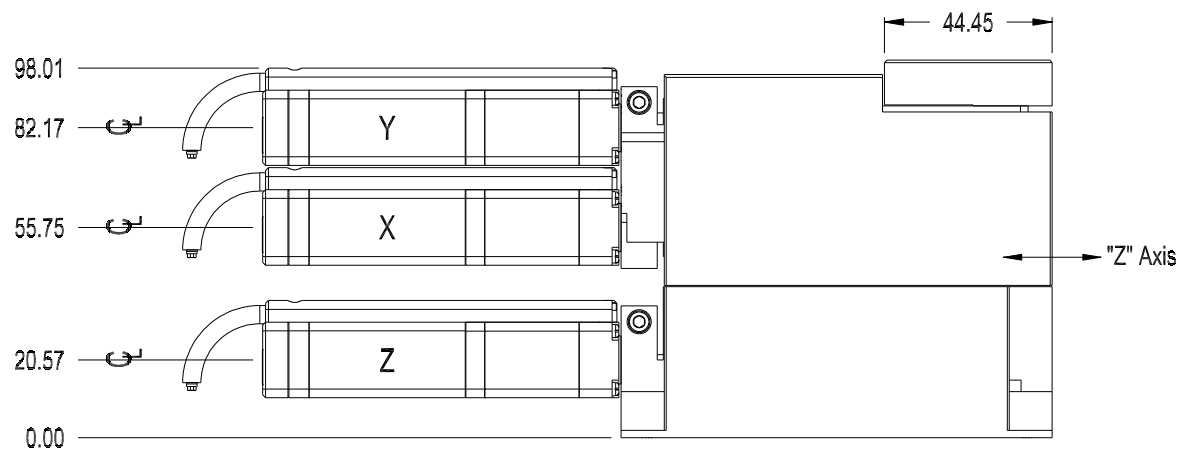
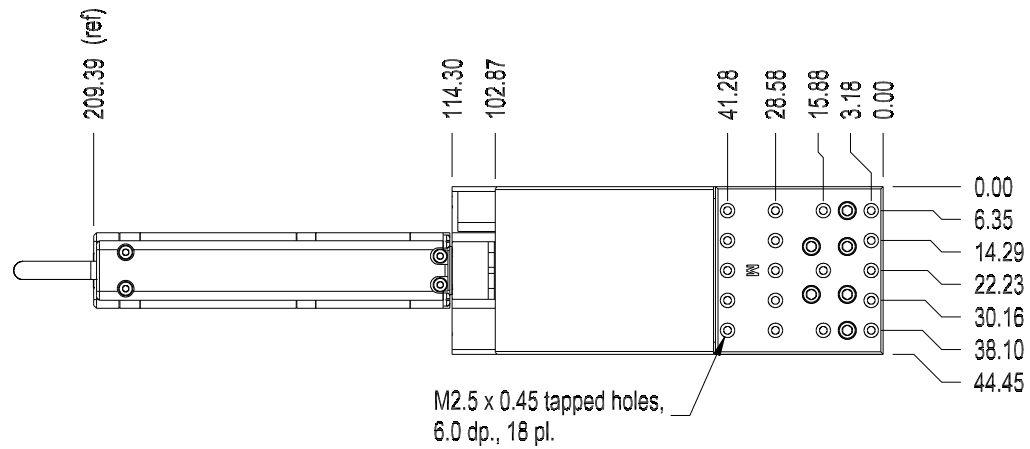


PKG Start Date

REV Date

APPROVED



Note: Stage is shown in mid-position of travel
 Z-Axis travel: +/-6.35mm (0.250")
 X&Y Axis travel: +/-1.27mm (0.050")

SKU: U3-H-SI



U3 Ultra XYZ Fully Automated Positioner (SI) - Outline

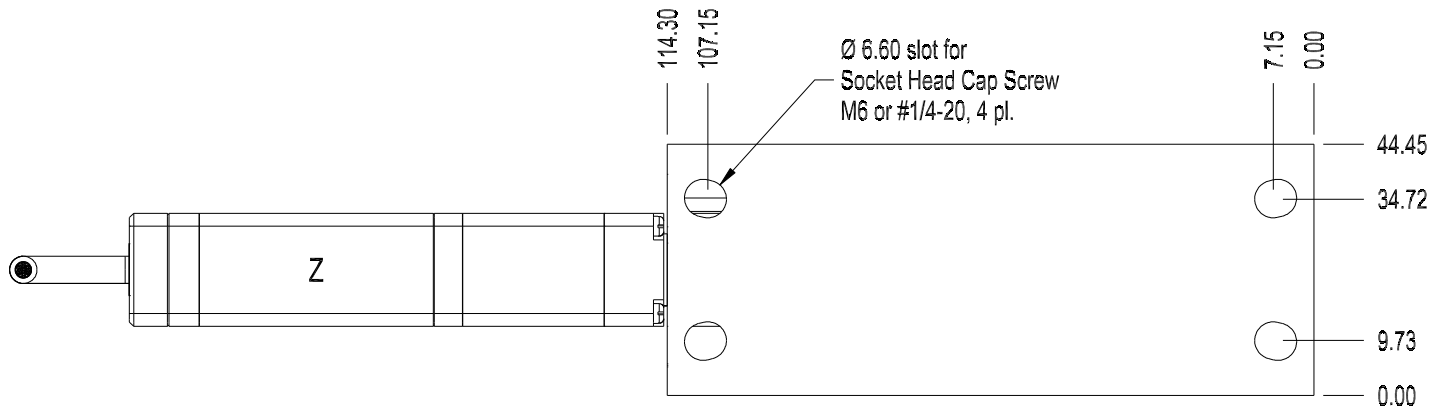
Material:	
Finish:	Tolerance:

SIZE A	VIEW:	DWG NO.	PT0080280A	REV A
SCALE 0.5	FILE	PT0080280A.ckd	SHEET 1/3	

PKG Start Date

REV Date

APPROVED



U3 Ultra XYZ Fully Automated Positioner (SI) - Bottom Outline

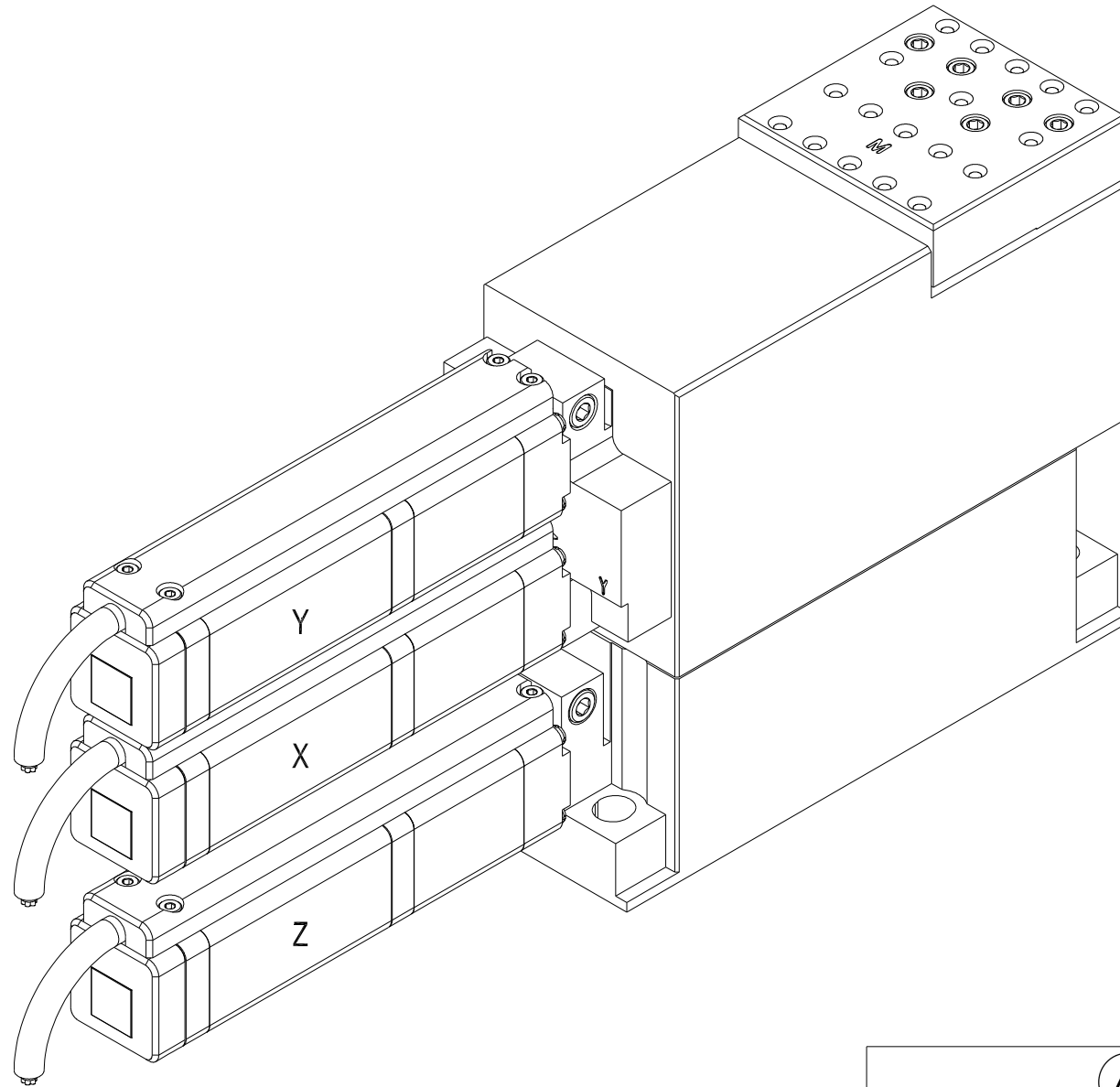
Material: _____
 Finish: _____ Tolerance: _____

SIZE A	VIEW: Bot	DWG NO. PT0080280A	REV A
SCALE 0.75	FILE PT0080280A.ckd	SHEET 2/3	

PKG Start Date

REV Date

APPROVED



U3 Ultra XYZ Fully Automated Positioner (SI) - Perspective View

Material:
Finish: Tolerance:

SIZE A	VIEW: Iso	DWG NO. PT0080280A	REV A
SCALE 0.9	FILE PT0080280A.ckd	SHEET 3/3	