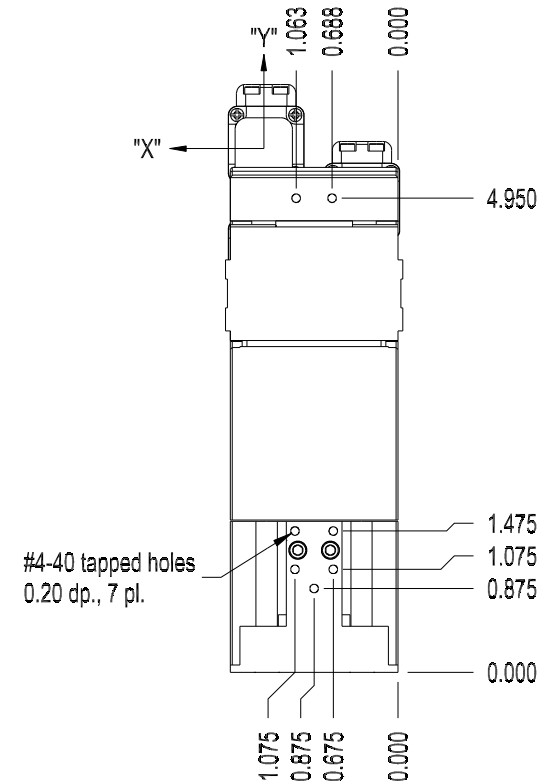
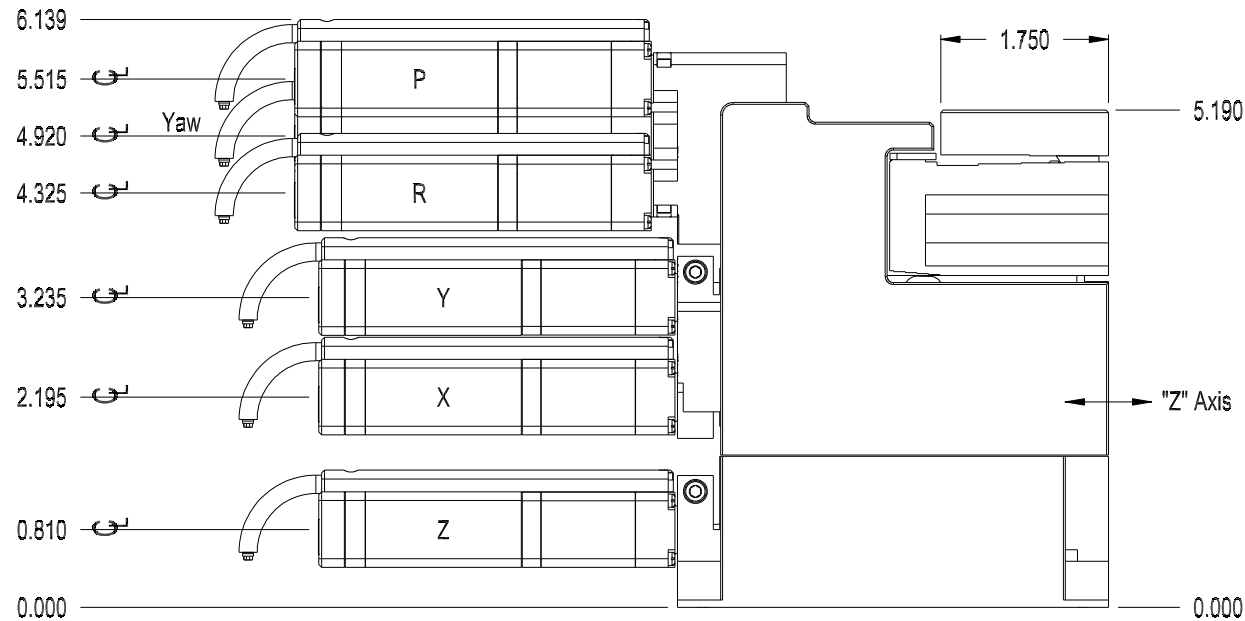


PKG Start Date

REV Date

APPROVED



NOTE: Stage is shown in mid-position of travel  
 Z-Axis travel: +/- 0.250" (6.35mm)  
 X&Y Axis travel: +/- 0.050" (1.27mm)  
 Yaw & Pitch travel: ±1.5° each axis

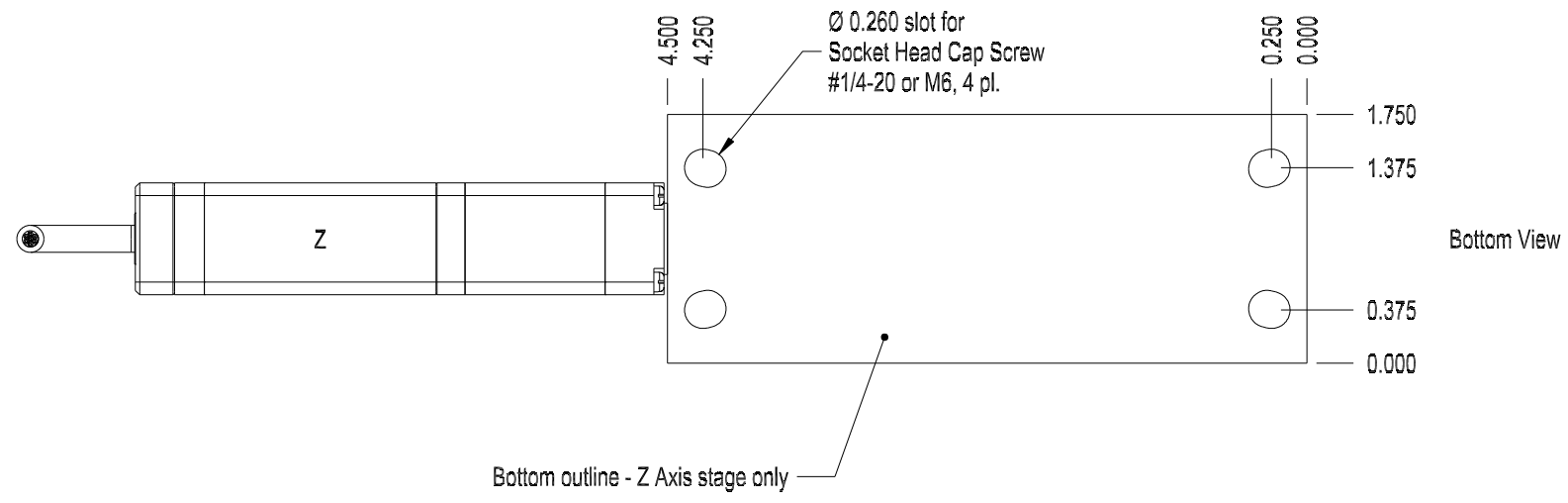
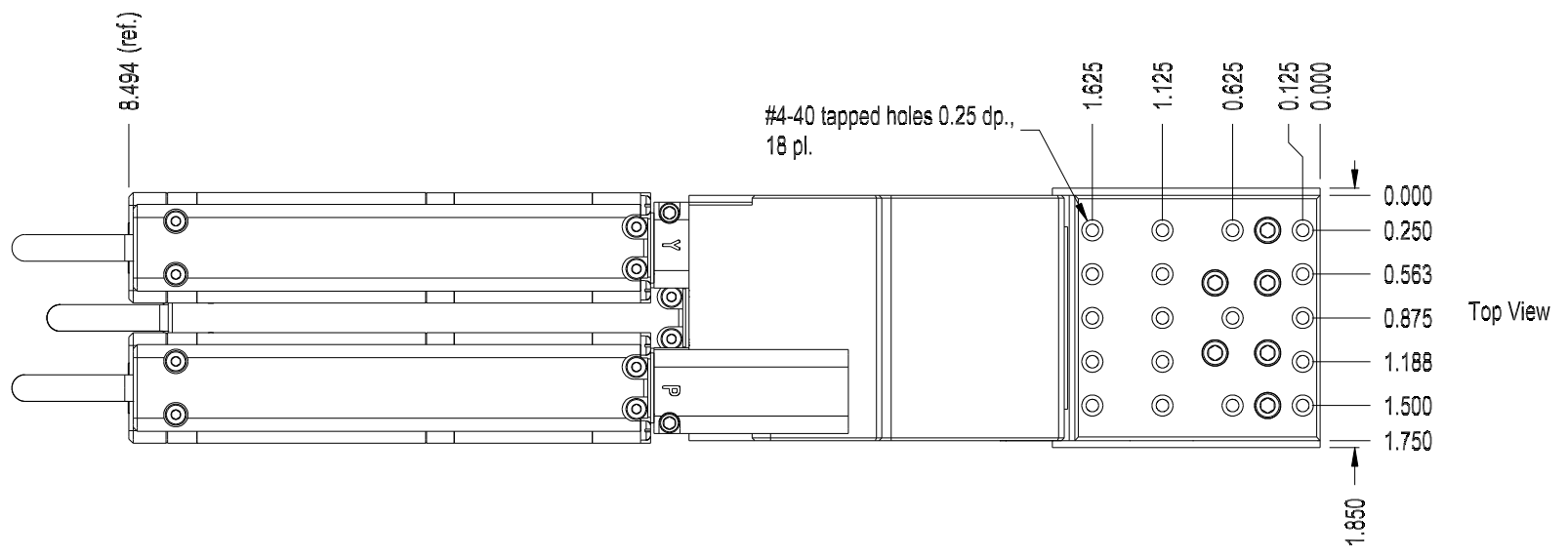
SKU: U6-H-I



U6 Ultra XYZ/RYP Fully Automated Positioner - Outline

Material:	
Finish:	Tolerance:

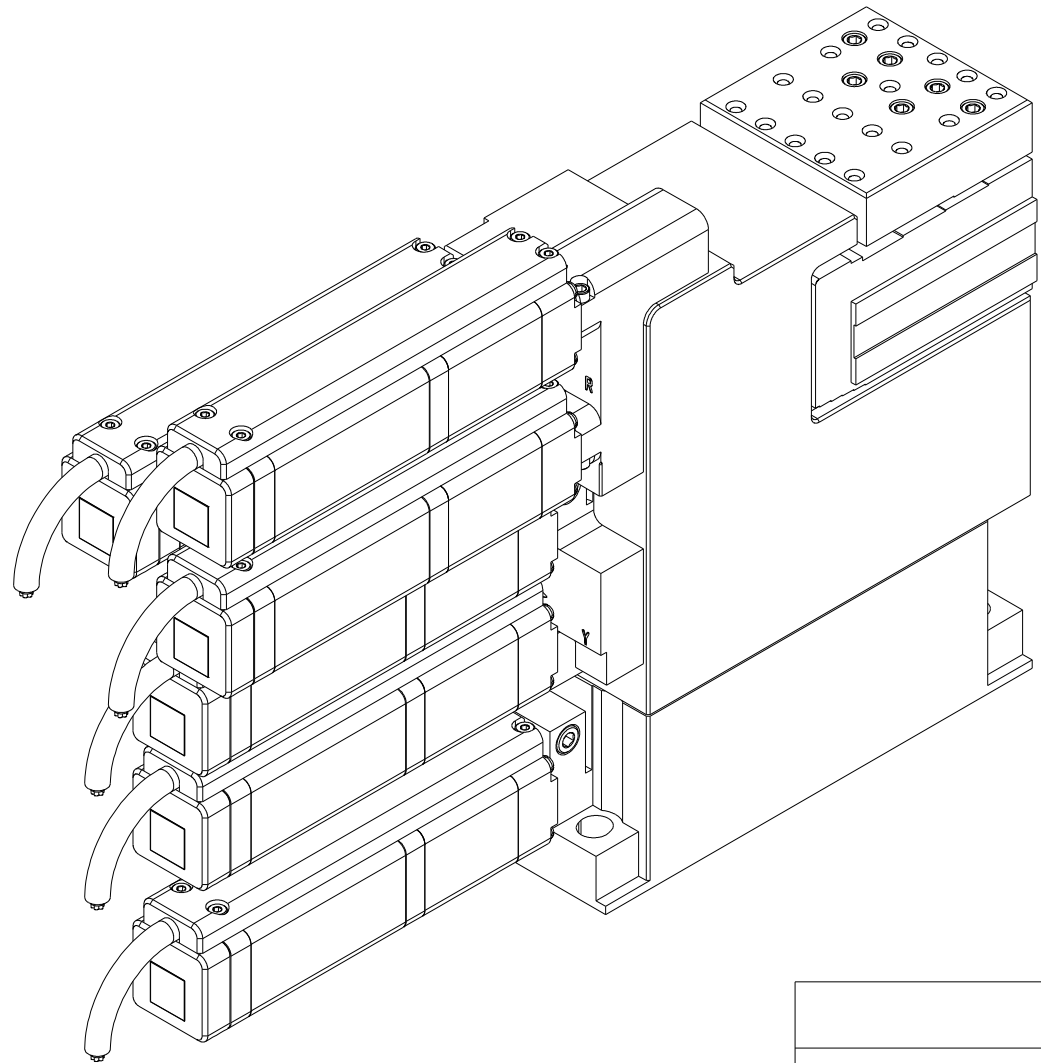
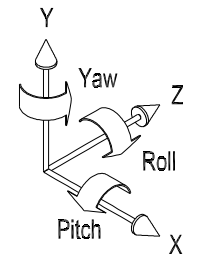
SIZE A	VIEW:	DWG NO.	PT0157377A	REV A
SCALE 0.5	FILE	PT0157377A.ckd	SHEET 1/3	



U6 Ultra XYZ/RYP Fully Automated Positioner - Outline

Material:	
Finish:	Tolerance:

SIZE A	VIEW:	DWG NO.	PT0157377A	REV A
SCALE 0.75	FILE	PT0157377A.ckd	SHEET 2/3	



U6 Ultra XYZ/RYP Fully Automated Positioner - Perspective View

Material: \_\_\_\_\_  
 Finish: \_\_\_\_\_ Tolerance: \_\_\_\_\_

SIZE A	VIEW: Iso	DWG NO. PT0157377A	REV A
SCALE 0.7	FILE PT0157377A.ckd	SHEET 3/3	