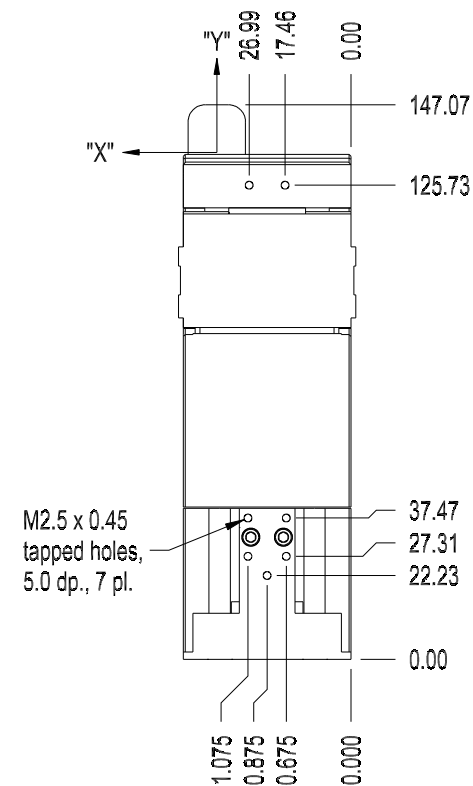
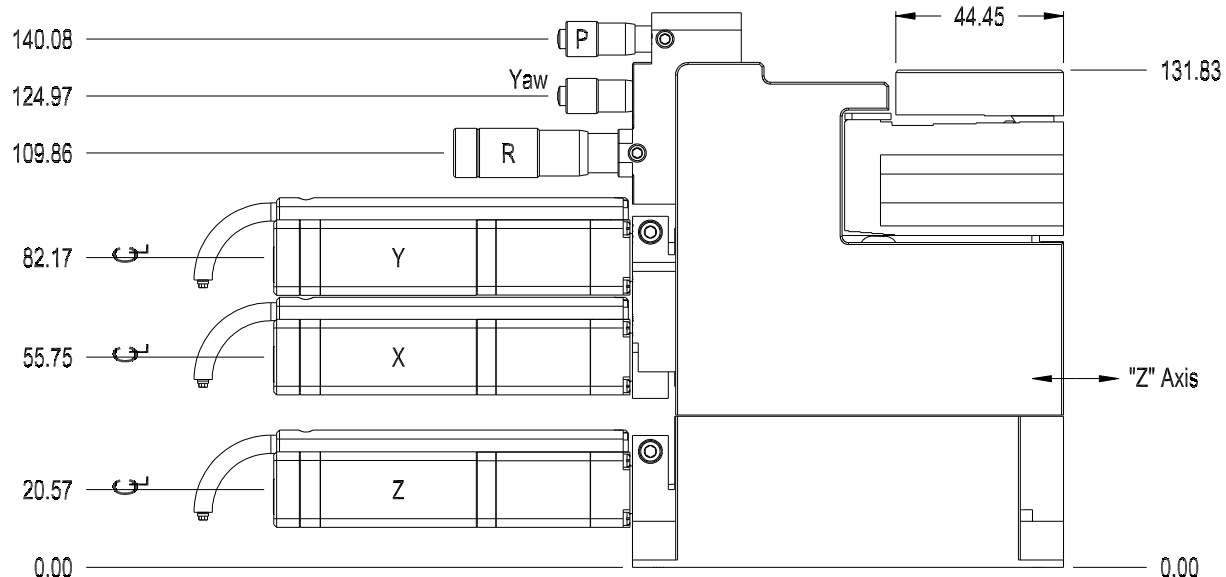


PKG Start Date

REV Date

APPROVED



NOTE: Stage is shown in mid-position of travel
 Z-Axis travel: $\pm 6.35\text{mm}$ (0.250")
 X&Y Axis travel: $\pm 1.27\text{mm}$ (0.050")
 Roll travel: $\pm 1.5^\circ$, 10 arc-sec/div., 6 turns/degree
 Yaw & Pitch travel: $\pm 1.5^\circ$, 30 arc-sec/div., 4 turns/degree

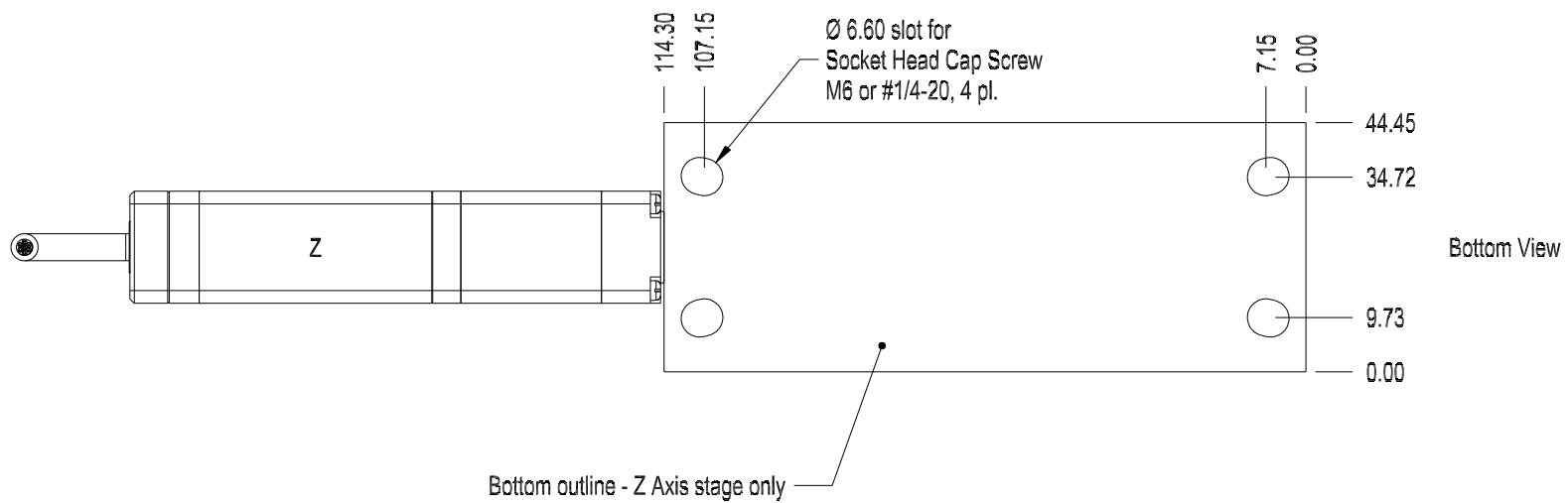
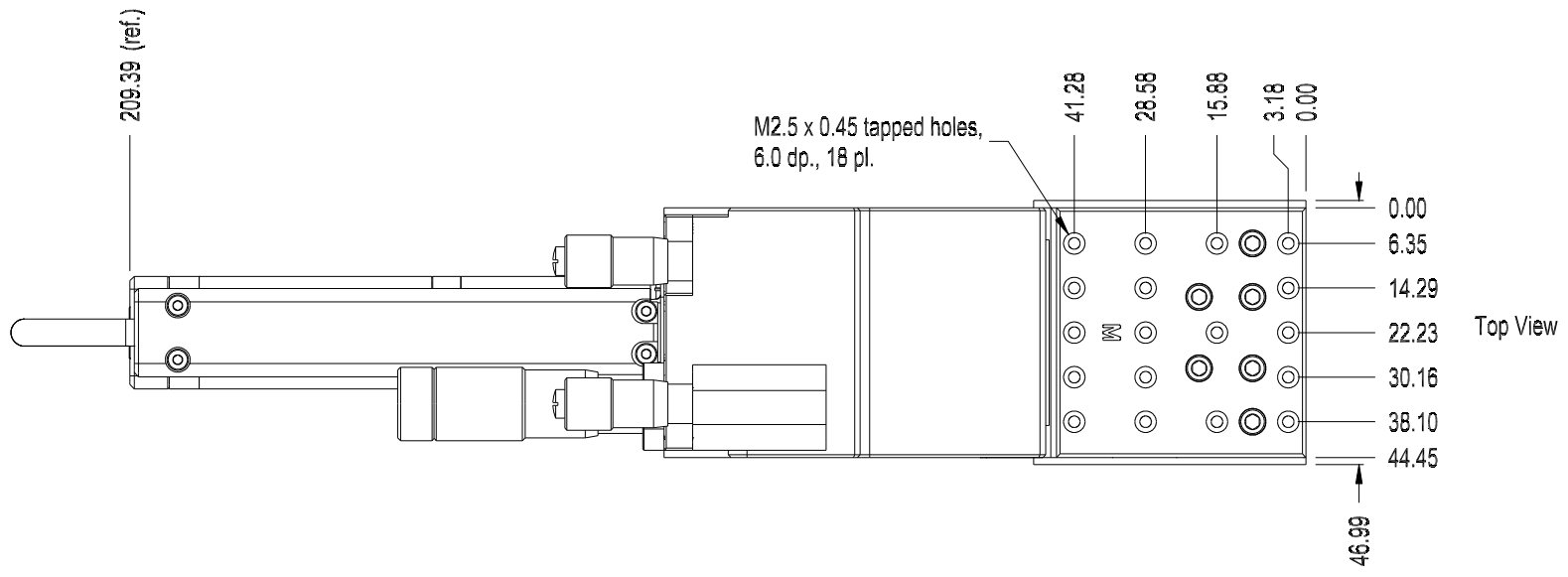
SKU: U6S-H-SI



U6S Ultra XYZ/RYP Semi-automated Positioner (SI) - Outline

Material:
 Finish: Tolerance:

SIZE A	VIEW:	DWG NO.	PT0157461A	REV A
SCALE 0.5	FILE	PT0157461A.ckd	SHEET 1/3	



U6S Ultra XYZ/RYP Semi-automated Positioner (SI) - Outline

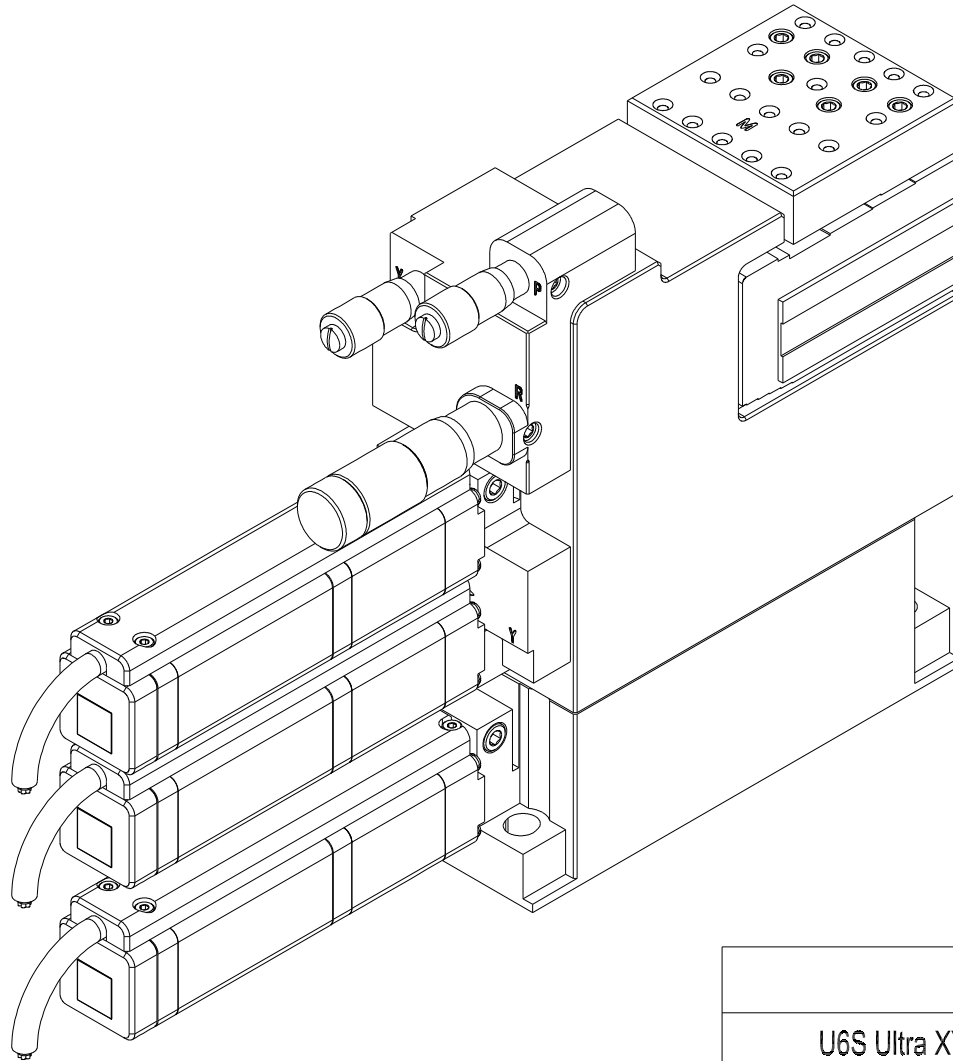
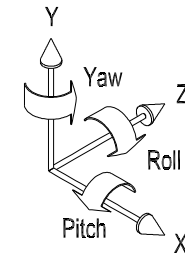
Material: _____
 Finish: _____ Tolerance: _____

SIZE A	VIEW:	DWG NO.	PT0157461A	REV A
SCALE 0.75	FILE	PT0157461A.ckd	SHEET 2/3	

PKG Start Date

REV Date

APPROVED



U6S Ultra XYZ/RYP Semi-automated Positioner (SI)
Perspective View

Material:
Finish: Tolerance:

SIZE A	VIEW: Iso	DWG NO. PT0157461A	REV A
SCALE 0.7	FILE PT0157461A.ckd	SHEET 3/3	